



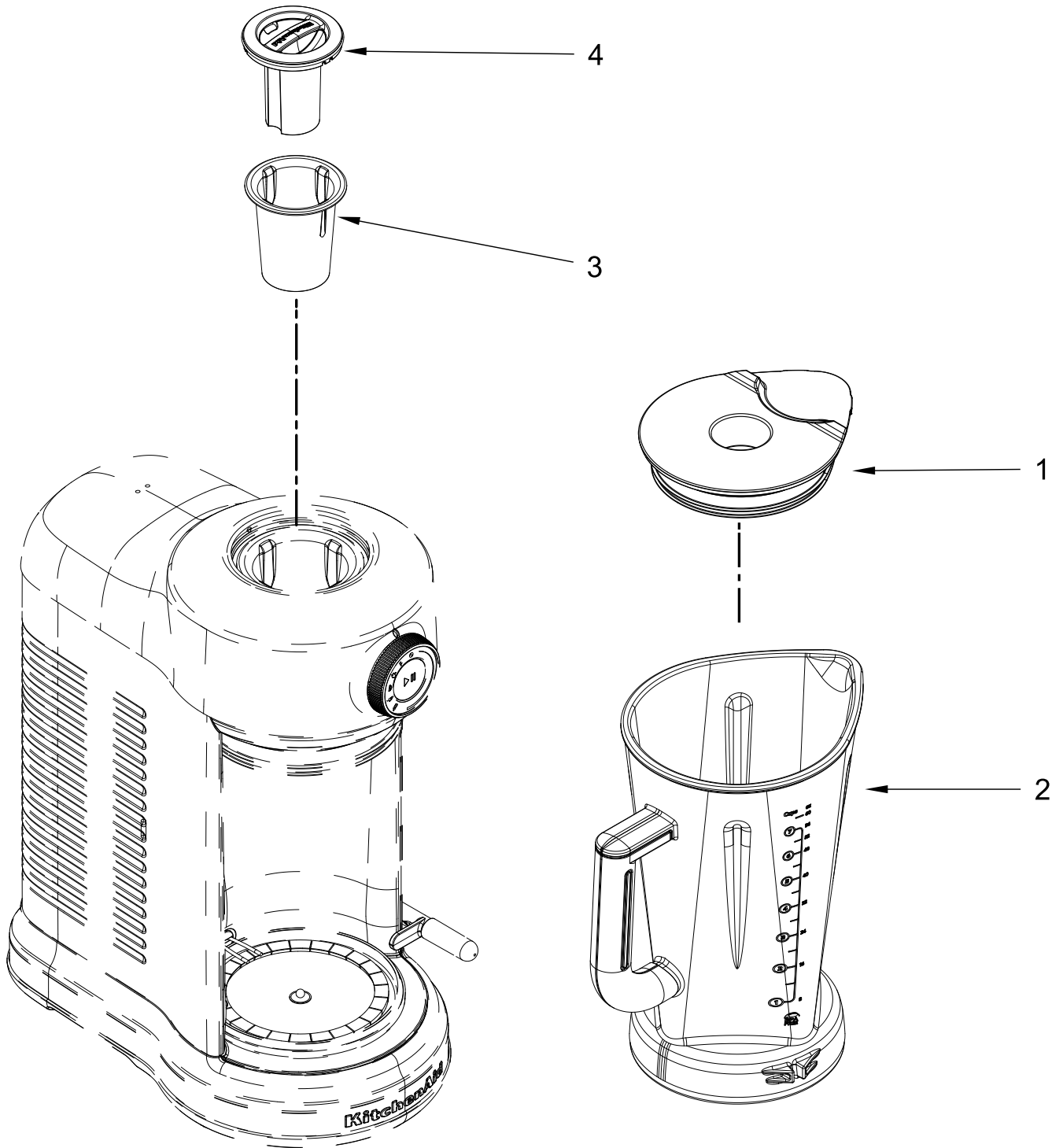
MAGNETIC DRIVE BLENDER 60 OZ. PLASTIC JAR

MODELS:

5KSB5080EAC0 (Almond Creme - European)
5KSB5080EBK0 (Imperial Black - European)
5KSB5080ECA0 (Candy Apple - European)
5KSB5080EER0 (Empire Red - European)
5KSB5080EFP0 (Frosted Pearl - European)
5KSB5080EMS0 (Medallion Silver - European)
5KSB5080EOB0 (Onyx Black - European)
5KSB5080AER0 (Empire Red - Australian)
5KSB5080A0B0 (Onyx Black - Australian)

5KSB5080BAC0 (Almond Creme - Britain)
5KSB5080BBK0 (Imperial Black - Britain)
5KSB5080BCA0 (Candy Apple - Britain)
5KSB5080BER0 (Empire Red - Britain)
5KSB5080BFP0 (Frosted Pearl - Britain)
5KSB5080BMS0 (Medallion Silver - Britain)
5KSB5080BOB0 (Onyx Black - Britain)
5KSB5085ACA0 (Candy Apple - Australian)
5KSB5085AFP0 (Frosted Pearl - Australian)

ATTACHMENT PARTS

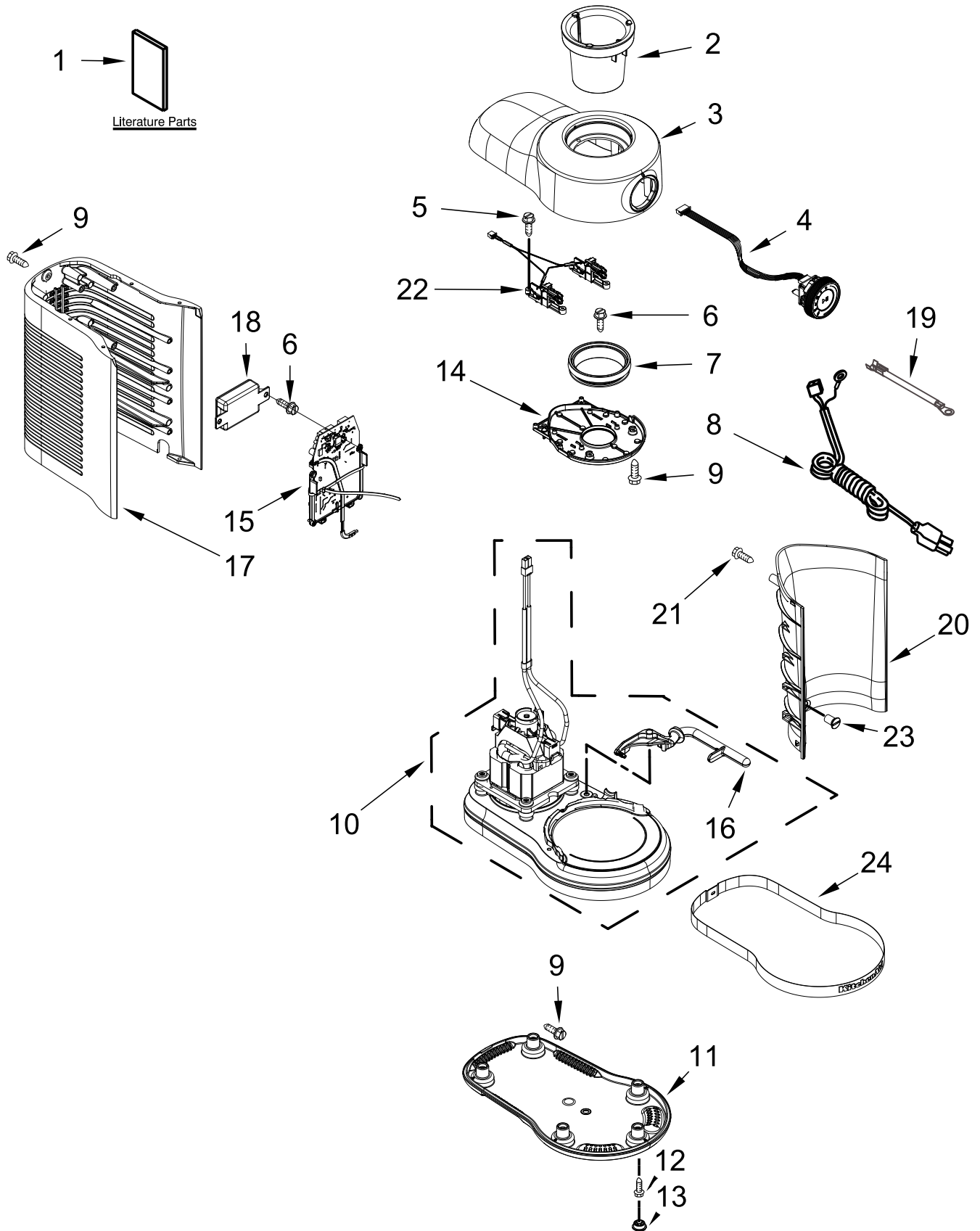


ATTACHMENT PARTS

<u>Illus.</u> <u>No.</u>	<u>Part No.</u>	<u>Description</u>
1	W10690049	Lid, Blender
2	W10627688	Jar Assembly

<u>Illus.</u> <u>No.</u>	<u>Part No.</u>	<u>Description</u>
3	W10630713	Funnel, Blender
4	W10667686	Cap Assembly

UNIT PARTS



UNIT PARTS

<u>Illus.</u> <u>No.</u>	<u>Part No.</u>	<u>Description</u>
1		Literature Parts
	W10683173	Use & Care Guide, European/Britain
	W10729916	Use & Care Guide, Australian
2	W10667412	Collar, Blender
3		Housing, Upper
	W10718041	Almond Creme
	W10708607	Imperial Black
	W10707891	Candy Apple
	W10718034	Empire Red
	W10707885	Frosted Pearl
	W10707881	Medallion Silver
	W10707877	Onyx Black
4	W10625896	User Interface Assembly
5	3400617	Screw
6	W10584177	Screw
7	W10709017	Seal, Upper Blender
8		Power Cord
	W10643544	European
	W10730060	Australian
	W10720322	Britain
9	3400814	Screw

<u>Illus.</u> <u>No.</u>	<u>Part No.</u>	<u>Description</u>
10		Housing Assembly, Lower (Includes 230V Motor and Belt)
	W10776358	Almond Creme
	W10776362	Imperial Black
	W10776356	Candy Apple
	W10776357	Empire Red
	W10776359	Frosted Pearl
	W10776360	Medallion Silver
	W10776363	Onyx Black
11	W10625865	Base, Blender
12	W10001200	Screw
13		Foot, Blender
	W10524701	Black
14		Cover, Upper Housing
	W10718042	Almond Creme
	W10708608	Imperial Black
	W10707892	Candy Apple
	W10718036	Empire Red
	W10707886	Frosted Pearl
	W10707882	Medallion Silver
	W10707878	Onyx Black
15	W10691804	Control Board Assembly

<u>Illus.</u> <u>No.</u>	<u>Part No.</u>	<u>Description</u>
16	W10769702	Lever Assembly (Includes Boot)
17		Housing, Surround
	W10718040	Almond Creme
	W10708606	Imperial Black
	W10707889	Candy Apple
	W10718033	Empire Red
	W10707884	Frosted Pearl
	W10707880	Metallic Silver
	W10707876	Onyx Black
18	W10568405	Assembly, Speaker
19	W10643552	Wire, Ground
20	W10625877	Housing, Front
21	W10276642	Screw
22	W10634065	Switch Assembly, Interlock
23	W10768470	Bumper Assembly
24		Trim Band
	W10712546	European/Britain
	W10729919	Australian