



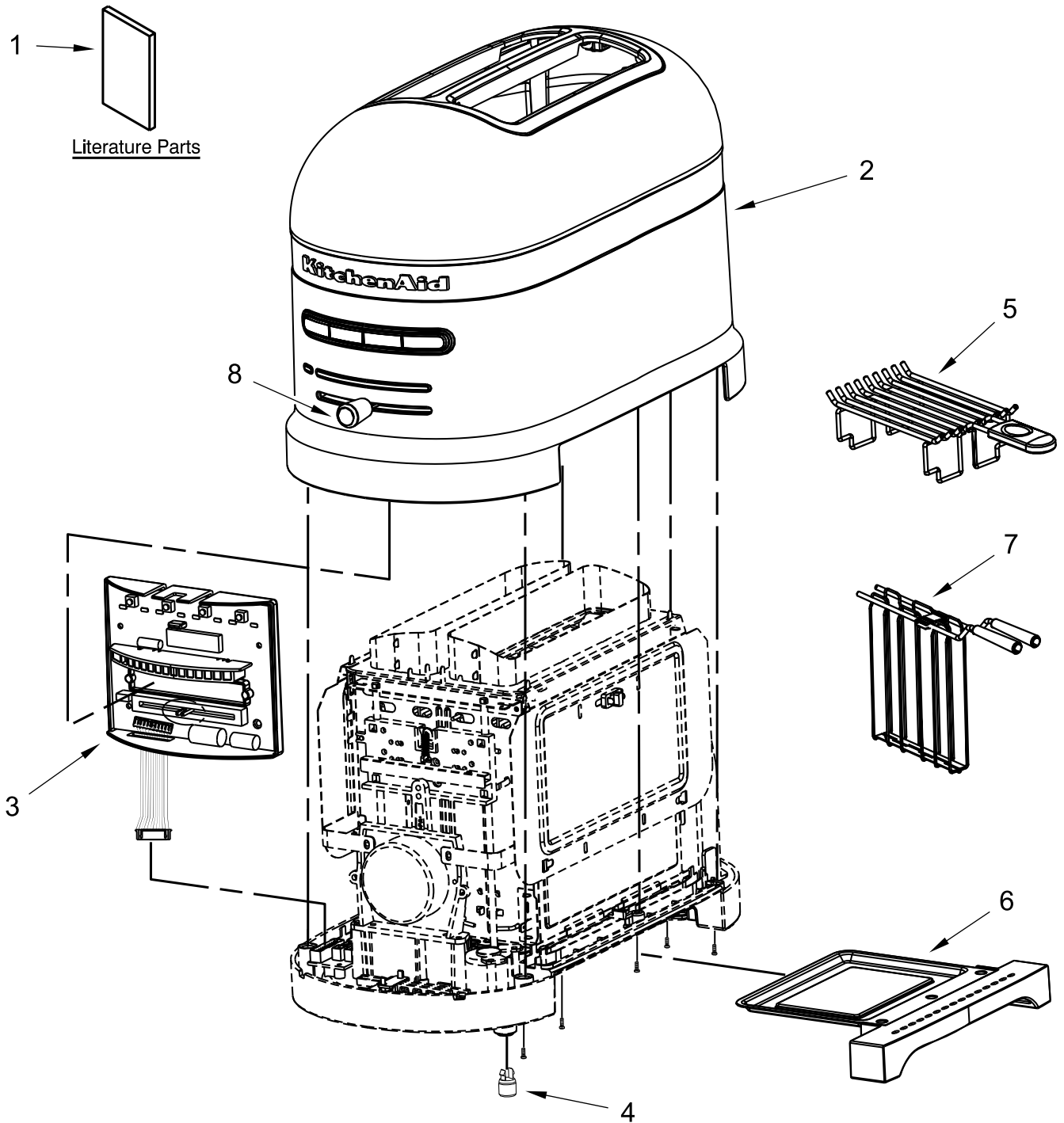
2 - SLICE TOASTER - INTERNATIONAL

MODELS:

5KMT2204EOB0 (Onyx Black - European)
5KMT2204ECA0 (Candy Apple - European)
5KMT2204EMS0 (Medallion Silver - European)
5KMT2204EFP0 (Frosted Pearl - European)
5KMT2204EER0 (Empire Red - European)
5KMT2204EAC0 (Almond Creme - European)
5KMT2204BOB0 (Onyx Black - Britain)

5KMT2204BCA0 (Candy Apple - Britain)
5KMT2204BMS0 (Medallion Silver - Britain)
5KMT2204BFP0 (Frosted Pearl - Britain)
5KMT2204BER0 (Empire Red - Britain)
5KMT2204BAC0 (Almond Creme - Britain)
5KMT2204ACA0 (Candy Apple - Australian)
5KMT2204AFP0 (Frosted Pearl - Australian)

UNIT PARTS



UNIT PARTS

<u>Illus.</u> <u>No.</u>	<u>Part No.</u>	<u>Description</u>
1		Literature Parts
	W10506838	Use and Care Guide (Europe and Britain)
	W10508889	Use and Care Guide, (Australia and Brazil)
2		Housing, Upper
	W10567076	Onyx Black
	W10567072	Candy Apple
	W10567075	Medallion Silver
	W10567071	Frosted Pearl
	W10567069	Empire Red
	W10567070	Almond Creme

<u>Illus.</u> <u>No.</u>	<u>Part No.</u>	<u>Description</u>
3	W10567068	Board, Control PCBA
4	W10532148	Foot, (Includes Front and Rear)
5	W10567060	Warmer, Bun
6		Tray, Crumb
	W10521155	Onyx Black
	W10521158	Candy Apple
	W10521157	Medallion Silver
	W10521159	Frosted Pearl
	W10567065	Empire Red
	W10567066	Almond Creme

<u>Illus.</u> <u>No.</u>	<u>Part No.</u>	<u>Description</u>
7	W10567062	Rack, Sandwich
8	W10567063	Handle, Slider